

SKYCO

SKYLIGHTS

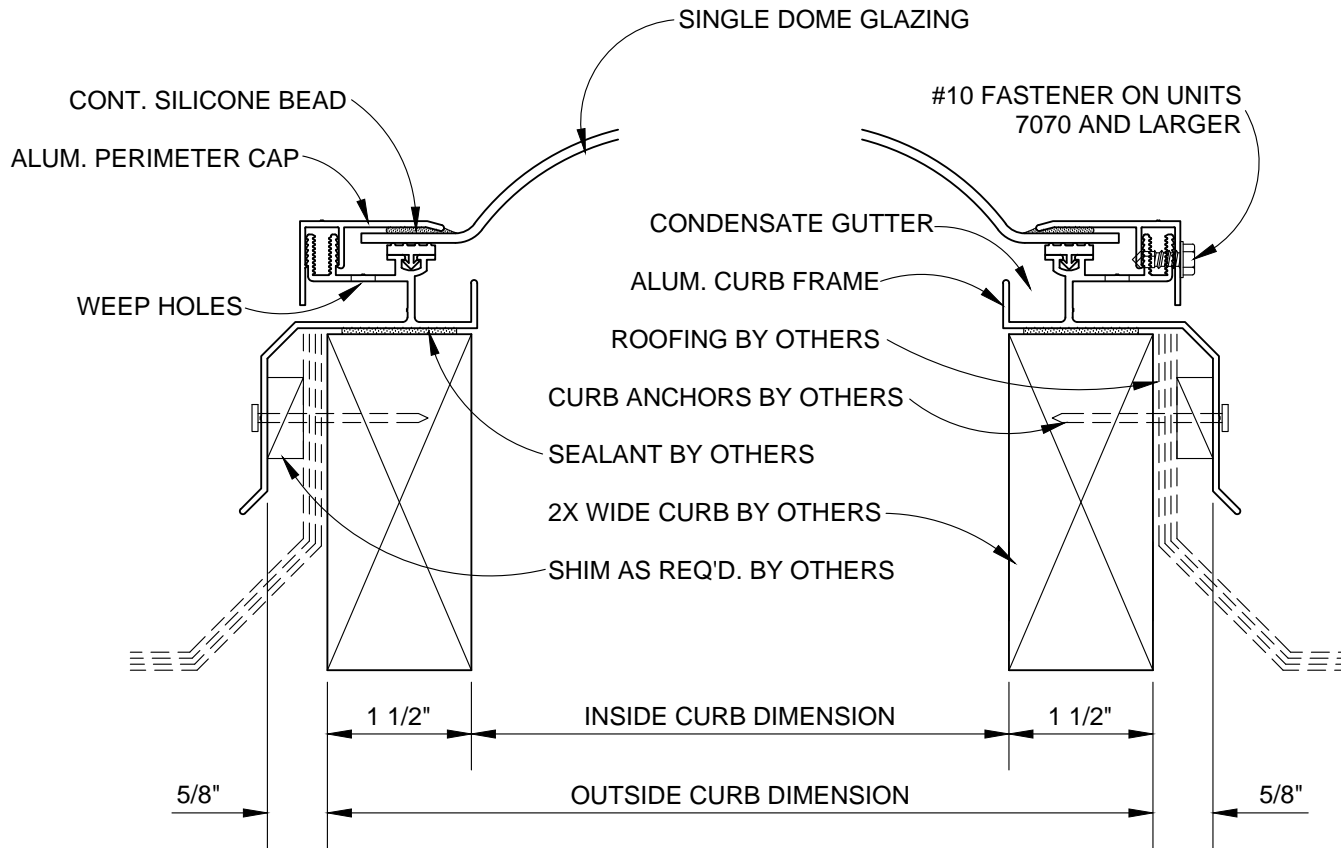
949-629-4090

FRAME FINISH

- UNFINISHED MILL (MF)
- CLEAR ANODIZE (CA)
- BRONZE ANODIZE (BA)
- PAINT: BRONZE, WHITE, CUSTOM

SINGLE DOME GLAZING

- CLEAR ACRYLIC (AC)
- WHITE ACRYLIC (AW)
- BRONZE ACRYLIC (AB)
- CLEAR POLYCARBONATE
- WHITE POLYCARBONATE
- OTHER :



MODEL: A-S-CM1

HALF SCALE

MODEL	INSIDE CURB DIMENSION	QTY	MODEL	INSIDE CURB DIMENSION	QTY
SQUARE UNITS			RECTANGULAR UNITS		
1414	14 1/4" X 14 1/4"		2296	22 1/4" X 96"	
1919	19" X 19"		3037	30 1/4" X 37"	
2222	22 1/4" X 22 1/4"		3046	30 1/4" X 46 1/4"	
3030	30 1/4" X 30 1/4"		3060	30 1/4" X 60 1/4"	
3737	37" X 37"		3069	30 1/4" X 69 1/2"	
4242	42" X 42"		3096	30 1/4" X 96"	
4646	46 1/4" X 46 1/4"		3496	34" X 96"	
4848	48" X 48"		3746	37" X 46 1/4"	
5555	55" X 55"		3775	37" X 75"	
7070	70 1/4" X 70 1/4"		3859	38" X 59"	
7575	75" X 75"		4669	46 1/4" X 69 1/2"	
8484	84" X 84"		4689	46 1/4" X 89 1/2"	
9292	92 1/2" X 92 1/2"		4896	48" X 96"	
RECTANGULAR UNITS			5460	54" X 60"	
1422	14 1/4" X 22 1/4"		6072	60" X 72"	
1446	14 1/4" X 46 1/4"		6096	60" X 96"	
2230	22 1/4" X 30 1/4"		CUSTOM		
2237	22 1/4" X 37"		CUSTOM		
2246	22 1/4" X 46 1/4"		CUSTOM		
2272	22 1/4" X 72"		CUSTOM		

ALUMINUM CURB MOUNT FRAME SINGLE DOME SKYLIGHT

PROJECT:	PROJECT ADDRESS:	APPROVED BY:	DATE:
CUSTOMER:	CUSTOMER PHONE:	X	
		REV. #	JOB #
		DATE:	DRAWING #:
			SKR-003