

# SKYCO

SKYLIGHTS

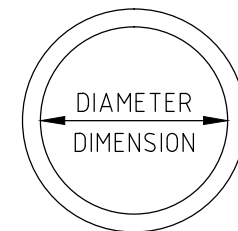
949-629-4090

**FRAME FINISH**

- MILL FINISH (MF)
- BRONZE ANODIZE (BA)
- CLEAR ANODIZE (CA)
- PAINT:  BRONZE,  WHITE,  CUSTOM

**DUAL DOME GLAZING**

- | OUTER DOME                            | INNER DOME                            |
|---------------------------------------|---------------------------------------|
| <input type="radio"/> CLEAR (AC)      | <input type="radio"/> CLEAR (AC)      |
| <input type="radio"/> WHITE (AW)      | <input type="radio"/> WHITE (AW)      |
| <input type="radio"/> BRONZE (AB)     | <input type="radio"/> BRONZE (AB)     |
| <input type="radio"/> CLEAR POLYCARB. | <input type="radio"/> CLEAR POLYCARB. |
| <input type="radio"/> WHITE POLYCARB. | <input type="radio"/> WHITE POLYCARB. |
| <input type="radio"/> OTHER :         | <input type="radio"/> OTHER :         |



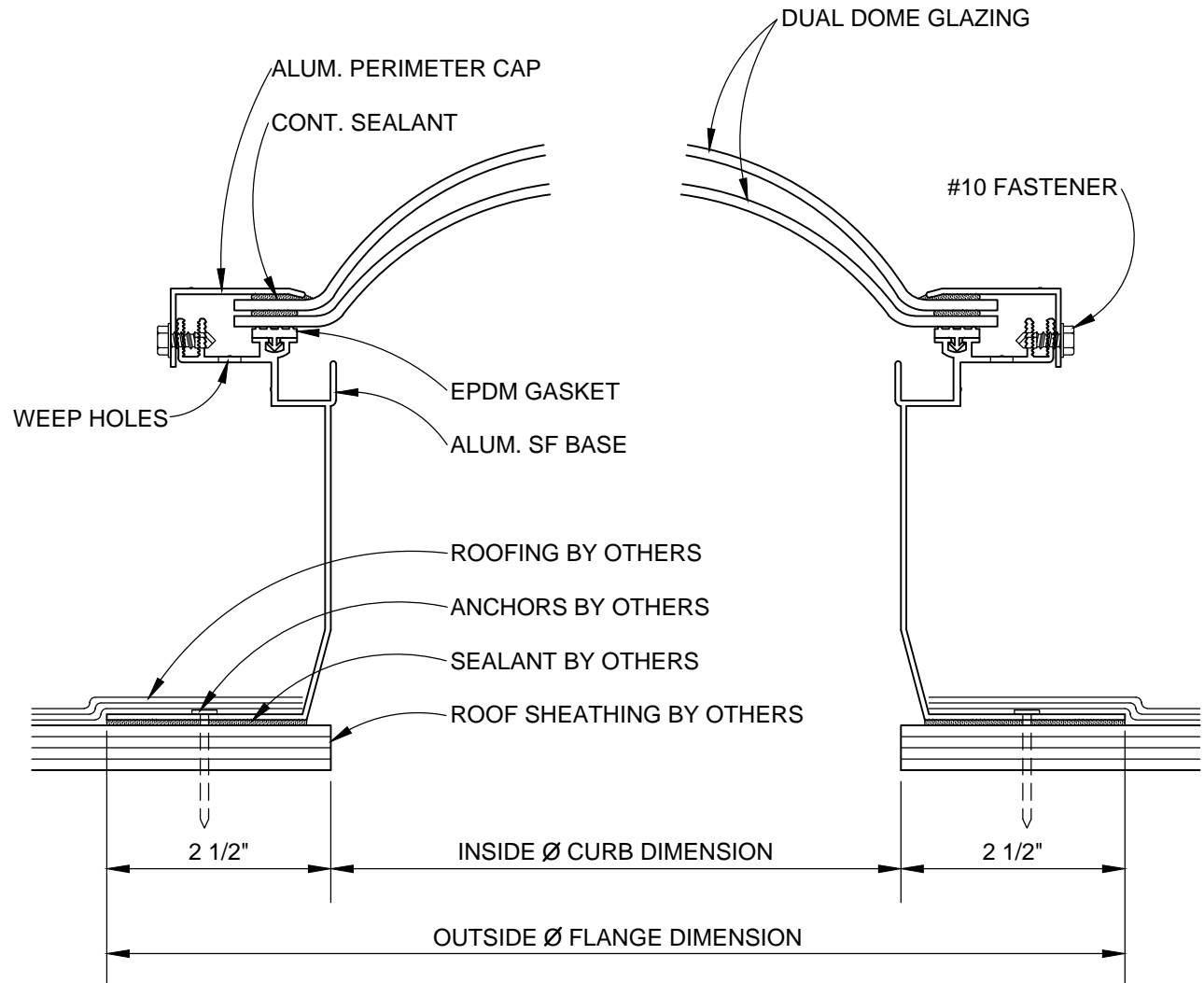
**PLAN VIEW**

MODEL	INSIDE Ø CURB DIM.	QTY.
24	24" DIAMETER	
31	31" DIAMETER	
43	43" DIAMETER	
54	54" DIAMETER	
67	67" DIAMETER	

CUSTOM \_\_\_\_\_  
 CUSTOM \_\_\_\_\_

APPROVED BY: \_\_\_\_\_ DATE: \_\_\_\_\_

REV. #	JOB #	DATE:	DRAWING #: SKR-026
--------	-------	-------	-----------------------



**MODEL: A-C-SF2**

HALF SCALE

**ALUMINUM CIRCULAR SELF FLASHING FRAME DUAL DOME SKYLIGHT**

PROJECT: \_\_\_\_\_

PROJECT ADDRESS: \_\_\_\_\_

CUSTOMER: \_\_\_\_\_

CUSTOMER PHONE: \_\_\_\_\_