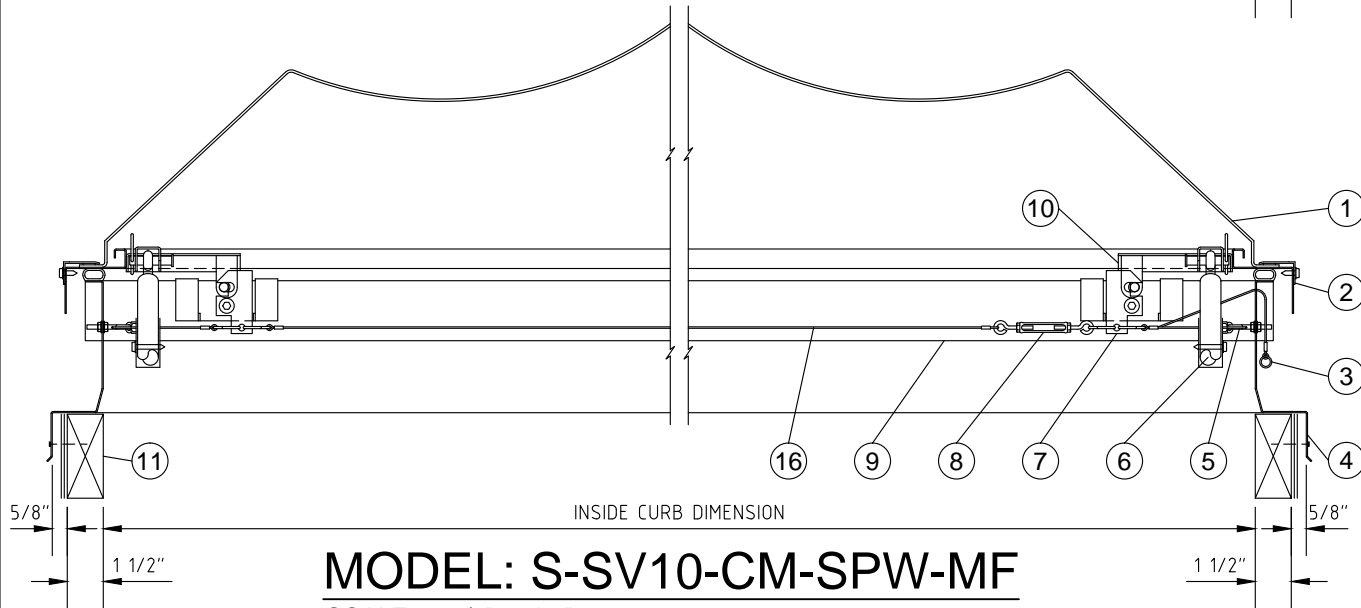
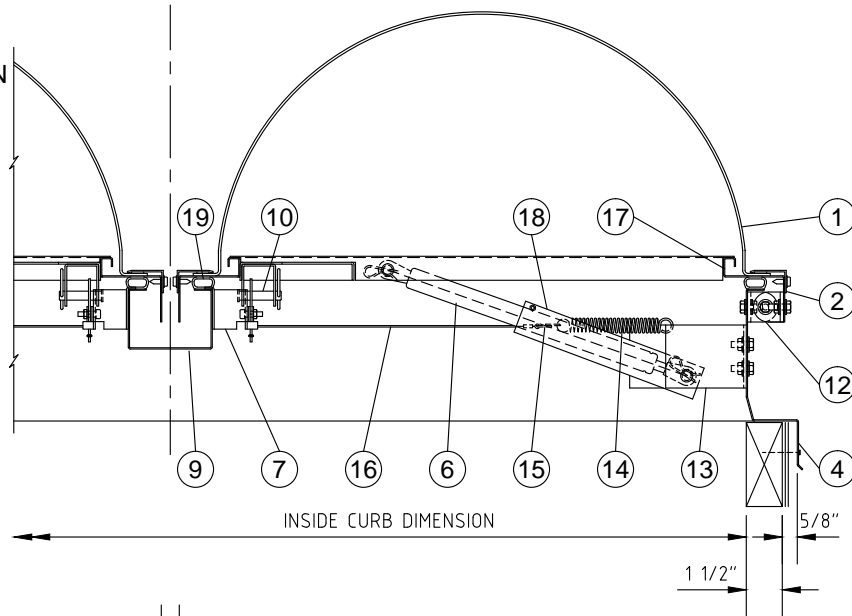


- 1) SINGLE SKYPRO ARCHED DOME
- 2) ALUM. DOME CAP
- 3) EXTERIOR MANUAL RELEASE SHOWN
- 4) G.I. STEEL CURB FRAME
- 5) EYEBOLT & PULLEY ASSEMBLY
- 6) LIFTING SHOCK
- 7) LATCH ASSEMBLY
- 8) OPEN EYE TURNBUCKLE
- 9) G.I. STEEL GUTTER
- 10) STRIKER ASSEMBLY
- 11) 2X WIDE (1 1/2") CURB BY OTHERS
- 12) G.I. STEEL HINGE ASSEMBLY
- 13) LOWER SHOCK BRACKET
- 14) 0.080" TENSION SPRING
- 15) FUSIBLE LINK - SPECIFY TEMP
- 16) 0.060" 7 STRAND STEEL CABLE
- 17) G.I. STEEL SHOCK LOCK CHANNEL
- 18) G.I. STEEL DOME FRAME
- 19) EPDM BULB GASKET



SKYCO

SKYLIGHTS

949-629-4090

FRAME FINISH

G90 GALVANIZED

FUSIBLE LINK TEMP. OPTIONS

165° UL/FM 286° UL/FM OTHER

212° UL/FM 370° UL/FM _____

MANUAL RELEASE OPTIONS

INSIDE RELEASE

OUTSIDE RELEASE

BOTH

SKYPRO SINGLE GLAZING

SKYPRO WHITE POLYCARB. (SPW)

SKYPRO CLEAR POLYCARB. (SPC)

OTHER: _____

SKYPRO SKYWAVE DOME



PLAN VIEW



SIDE ELEVATION



END ELEVATION

MODEL	INSIDE CURB DIM.	QTY.
SQUARE		
4848	48" x 48"	
RECTANGULAR		
4896	48" x 96"	

10 PSF

CURB MOUNT STEEL FRAME SKYPRO SINGLE DOME DUAL LID SMOKE VENT

PROJECT:

PROJECT ADDRESS:

APPROVED BY: _____ DATE: _____

CUSTOMER:

CUSTOMER PHONE:

REV. #

JOB #:

DATE:

DRAWING #:

SKSV-010