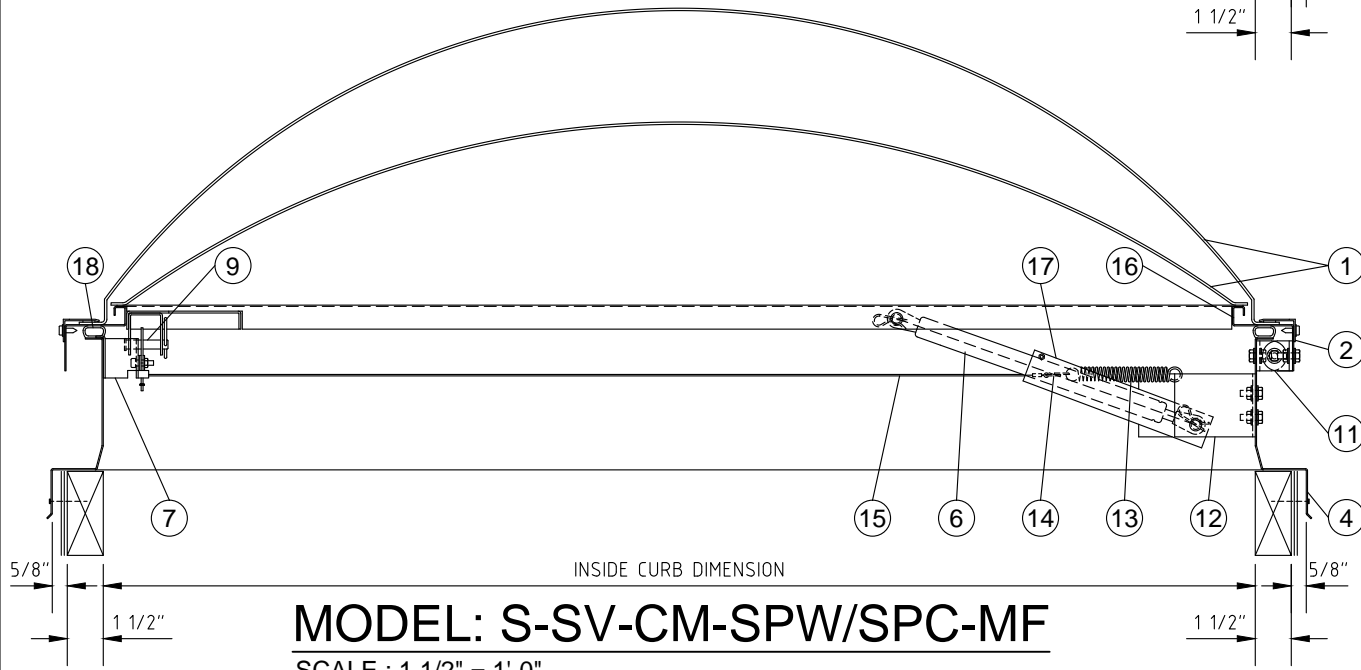
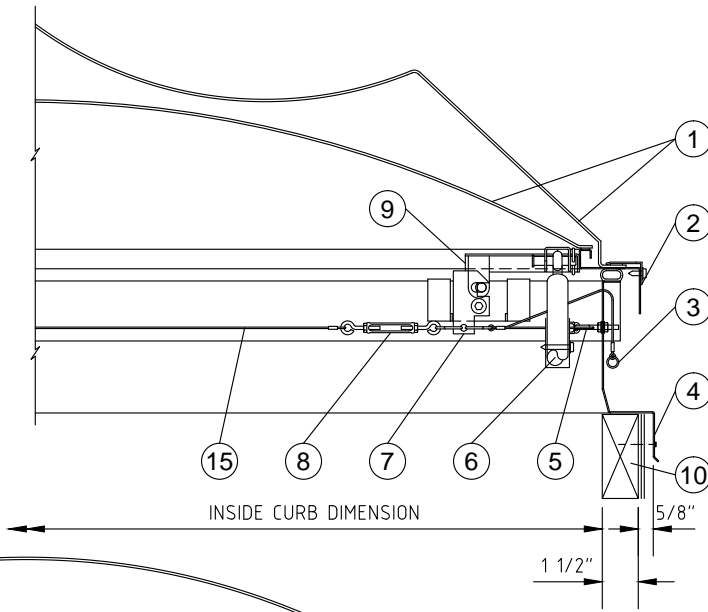


- 1) DUAL SKYPRO ARCHED DOME
- 2) ALUM. DOME CAP
- 3) EXTERIOR MANUAL RELEASE SHOWN
- 4) G.I. STEEL CURB FRAME
- 5) EYEBOLT & PULLEY ASSEMBLY
- 6) LIFTING SHOCK
- 7) LATCH ASSEMBLY
- 8) OPEN EYE TURNBUCKLE
- 9) STRIKER ASSEMBLY
- 10) 2X WIDE (1 1/2") CURB BY OTHERS
- 11) G.I. STEEL HINGE ASSEMBLY
- 12) LOWER SHOCK BRACKET
- 13) 0.080" TENSION SPRING
- 14) FUSIBLE LINK - SPECIFY TEMP
- 15) 0.060" 7 STRAND STEEL CABLE
- 16) G.I. STEEL SHOCK LOCK CHANNEL
- 17) G.I. STEEL DOME FRAME
- 18) EPDM BULB GASKET



MODEL: S-SV-CM-SPW/SPC-MF
 SCALE : 1 1/2" = 1'-0"

SKYCO

SKYLIGHTS
 949-629-4090

FRAME FINISH

G90 GALVANIZED

FUSIBLE LINK TEMP. OPTIONS

165° UL/FM 286° UL/FM OTHER
 212° UL/FM 370° UL/FM

MANUAL RELEASE OPTIONS

INSIDE RELEASE BOTH
 OUTSIDE RELEASE

SKYPRO DUAL GLAZING

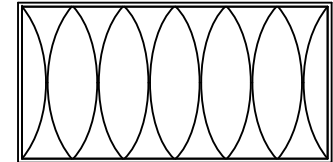
OUTER DOME

SKYPRO WHITE POLYCARBONATE (SPW)

INNER DOME

CLEAR COLORLESS POLYCARB. (SPC)

SKYPRO SKYWAVE DOME



PLAN VIEW



SIDE ELEVATION



END ELEVATION

MODEL	INSIDE CURB DIM.	QTY.
SQUARE		
4848	48" x 48"	
RECTANGULAR		
4896	48" x 96"	
6072	60" x 72"	

CURB MOUNT STEEL FRAME SKYPRO DUAL DOME SINGLE LID SMOKE VENT

PROJECT:	PROJECT ADDRESS:	APPROVED BY:		DATE:
CUSTOMER:	CUSTOMER PHONE:	REV. #	JOB #:	DATE:
				DRAWING #: SKSV-024