

# SKYCO

SKYLIGHTS

949-629-4090

FRAME FINISH

G90 GALVANIZED

FUSIBLE LINK TEMP. OPTIONS

165° UL/FM    286° UL/FM    OTHER

212° UL/FM    370° UL/FM   \_\_\_\_\_

McCABE RESETTABLE 24v ETL

MANUAL RELEASE OPTIONS

INSIDE RELEASE

BOTH

OUTSIDE RELEASE

SELF FLASHING BASE HEIGHT

4" SF BASE

12" SF BASE

9" SF BASE

CUSTOM:

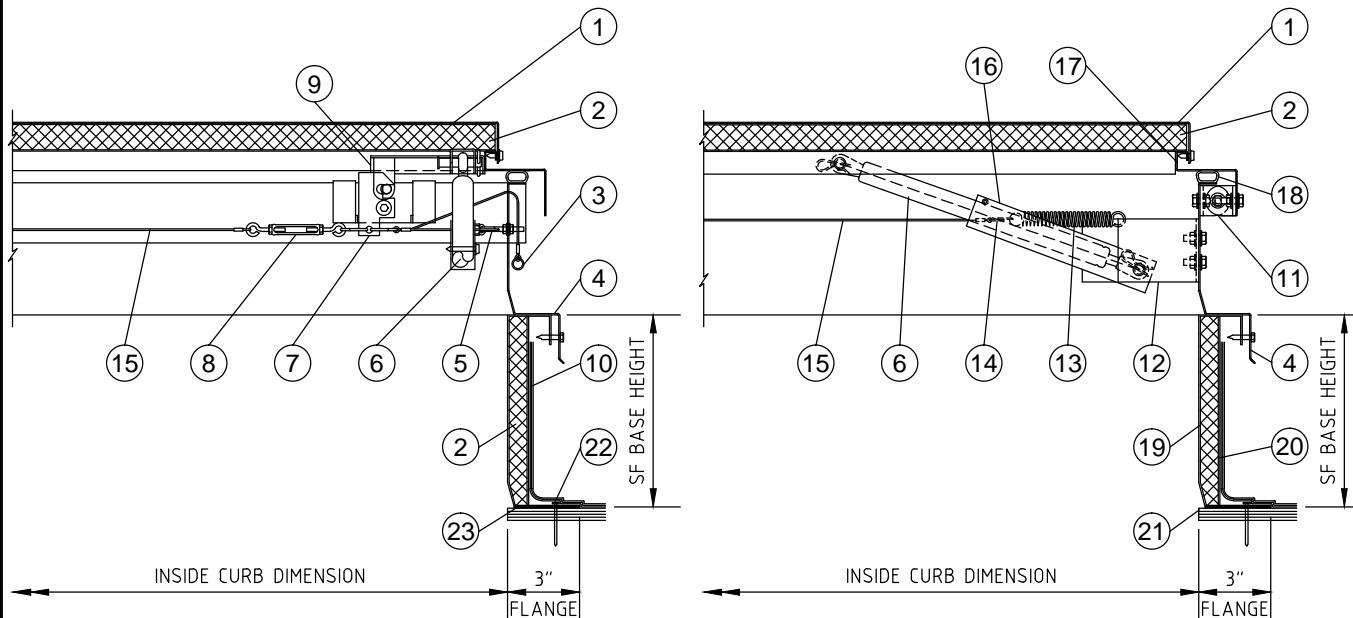
MODEL	INSIDE CURB DIM.	QTY.
SQUARE		
4848	48" x 48"	
RECTANGULAR		
4896	48" x 96"	
6072	60" x 72"	

APPROVED BY: \_\_\_\_\_ DATE: \_\_\_\_\_

REV. #	JOB #:	DATE:	DRAWING #:
			SKSV-026

- 1) G.I. STEEL LID
- 2) 1"THK. RIGID INSULATION
- 3) MANUAL RELEASE - OUTSIDE SHOWN
- 4) G.I. STEEL SMOKE VENT BASE
- 5) EYEBOLT & PULLEY ASSEMBLY
- 6) LIFTING SHOCK
- 7) LATCH ASSEMBLY
- 8) OPEN EYE TURNBUCKLE
- 9) STRIKER ASSEMBLY
- 10) ROOFING BY OTHERS
- 11) G.I. STEEL HINGE ASSEMBLY
- 12) LOWER SHOCK BRACKET

- 13) 0.080" TENSION SPRING
- 14) FUSIBLE LINK - SPECIFY TYPE
- 15) 0.060" 7 STRAND STEEL CABLE
- 16) G.I. STEEL SHOCK LOCK CHANNEL
- 17) G.I. STEEL LID FRAME
- 18) EPDM BULB GASKET
- 19) SELF FLASHING BASE
- 20) G.I. STEEL LINER
- 21) ROOF SHEATHING BY OTHERS
- 22) CURB ANCHORS BY OTHERS
- 23) SET FLANGE IN ROOFING MASTIC BY OTHERS



**MODEL: S-SV-12SFIC2-MLINS-MF**

SCALE : 1 1/2" = 1'-0"

**INSULATED SELF FLASHING TWO WALL STEEL FRAME INSULATED SINGLE LID SMOKE VENT**

PROJECT: \_\_\_\_\_

PROJECT ADDRESS: \_\_\_\_\_

CUSTOMER: \_\_\_\_\_

CUSTOMER PHONE: \_\_\_\_\_