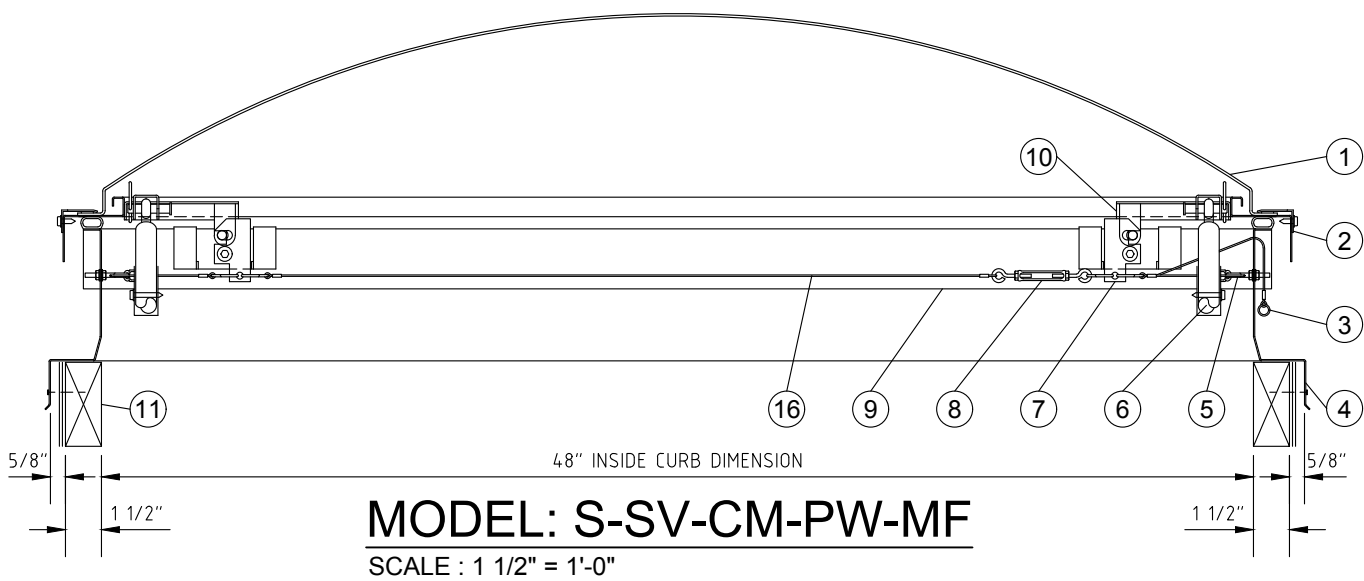
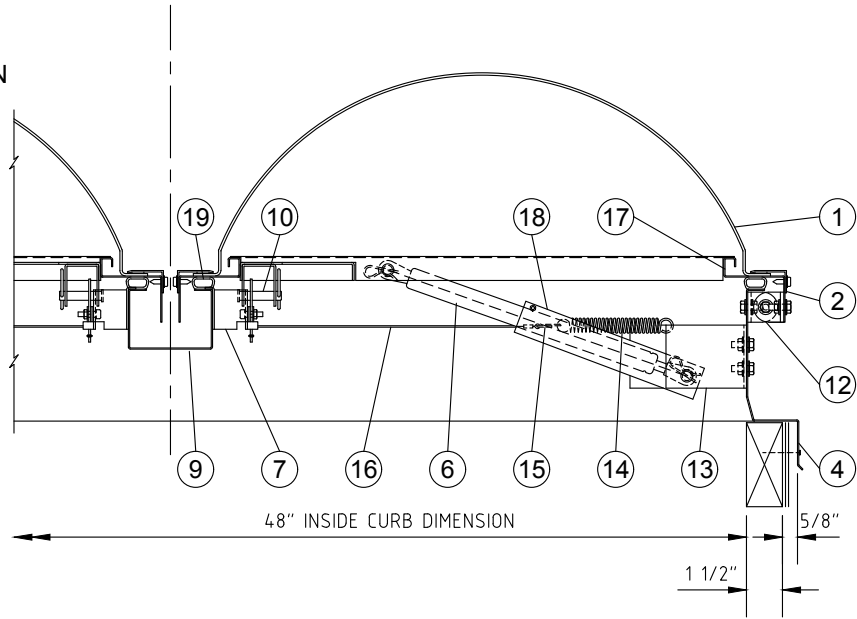


- 1) SINGLE DOME
- 2) ALUM. DOME CAP
- 3) EXTERIOR MANUAL RELEASE SHOWN
- 4) G.I. STEEL CURB FRAME
- 5) EYEBOLT & PULLEY ASSEMBLY
- 6) LIFTING SHOCK
- 7) LATCH ASSEMBLY
- 8) OPEN EYE TURNBUCKLE
- 9) G.I. STEEL GUTTER
- 10) STRIKER ASSEMBLY
- 11) 2X WIDE (1 1/2") CURB BY OTHERS
- 12) G.I. STEEL HINGE ASSEMBLY
- 13) LOWER SHOCK BRACKET
- 14) 0.080" TENSION SPRING
- 15) FUSIBLE LINK - SPECIFY TEMP
- 16) 0.060" 7 STRAND STEEL CABLE
- 17) G.I. STEEL SHOCK LOCK CHANNEL
- 18) G.I. STEEL DOME FRAME
- 19) EPDM BULB GASKET



MODEL: S-SV-CM-PW-MF
 SCALE : 1 1/2" = 1'-0"

SKYCO

SKYLIGHTS
 949-629-4090

FRAME FINISH

G90 GALVANIZED

FUSIBLE LINK TEMP. OPTIONS

165° UL/FM 286° UL/FM OTHER
 212° UL/FM 370° UL/FM

MANUAL RELEASE OPTIONS

INSIDE RELEASE BOTH
 OUTSIDE RELEASE

SINGLE GLAZING

WHITE POLYCARBONATE (PW)
 OTHER:

MODEL	INSIDE CURB DIM.	QTY.
	SQUARE	
4848	48" x 48"	

CURB MOUNT STEEL FRAME SINGLE DOME DUAL LID SMOKE VENT

10 PSF

PROJECT:	PROJECT ADDRESS:	APPROVED BY:	DATE:
CUSTOMER:	CUSTOMER PHONE:	REV. #	JOB #
		DATE:	DRAWING #: SKSV-027