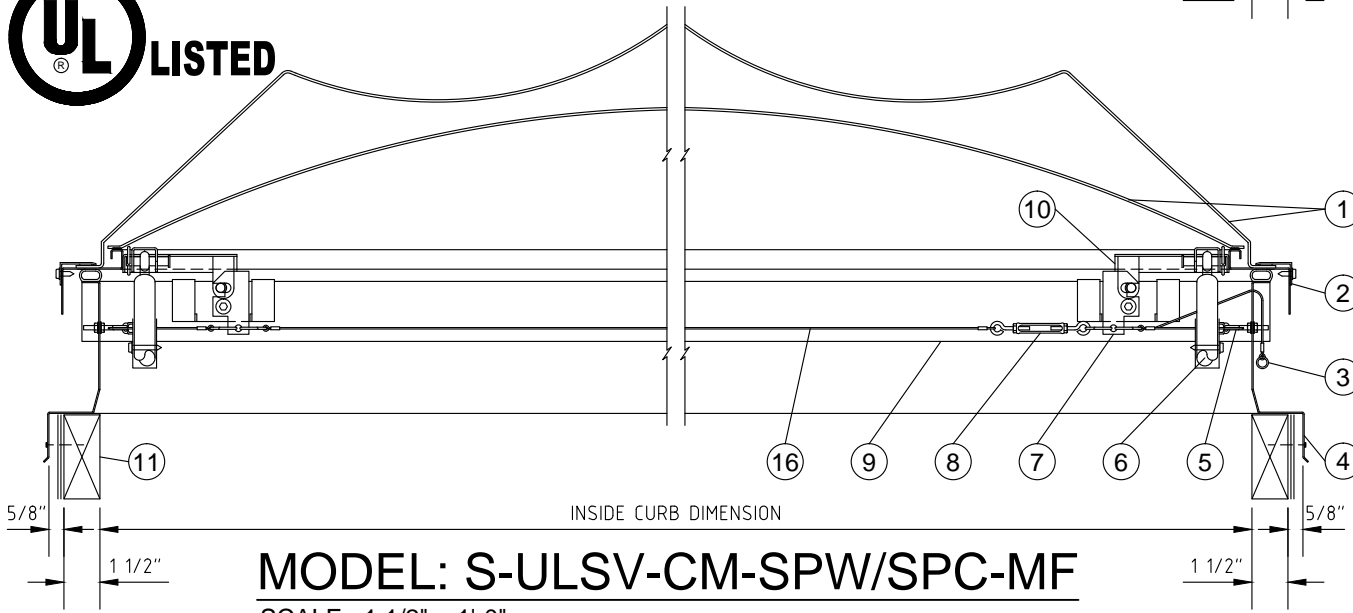
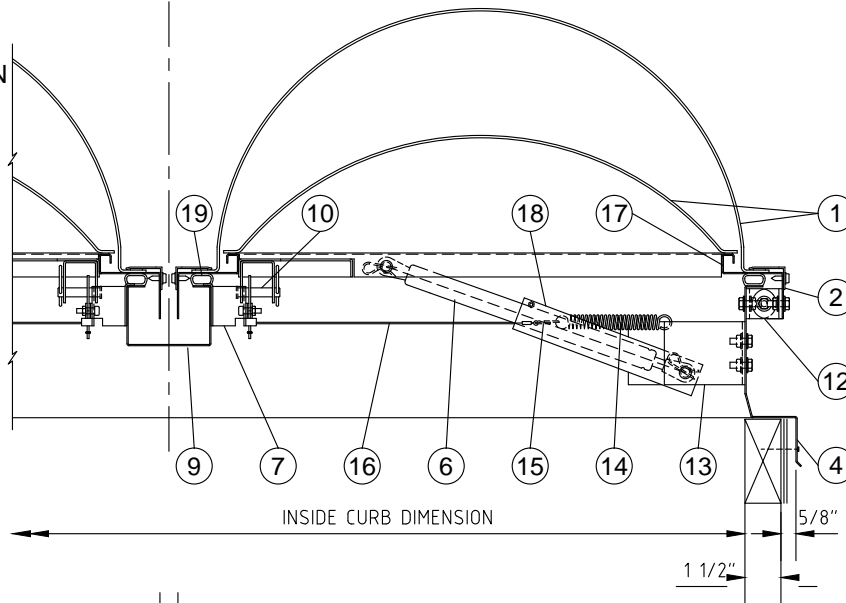


- 1) DUAL SKYPRO ARCHED DOME
- 2) ALUM. DOME CAP
- 3) EXTERIOR MANUAL RELEASE SHOWN
- 4) G.I. STEEL CURB FRAME
- 5) EYEBOLT & PULLEY ASSEMBLY
- 6) LIFTING SHOCK
- 7) LATCH ASSEMBLY
- 8) OPEN EYE TURNBUCKLE
- 9) G.I. STEEL GUTTER
- 10) STRIKER ASSEMBLY
- 11) 2X WIDE (1 1/2") CURB BY OTHERS
- 12) G.I. STEEL HINGE ASSEMBLY
- 13) LOWER SHOCK BRACKET
- 14) 0.080" TENSION SPRING
- 15) FUSIBLE LINK - SPECIFY TEMP
- 16) 0.060" 7 STRAND STEEL CABLE
- 17) G.I. STEEL SHOCK LOCK CHANNEL
- 18) G.I. STEEL DOME FRAME
- 19) EPDM BULB GASKET



MODEL: S-ULSV-CM-SPW/SPC-MF

SCALE : 1 1/2" = 1'-0"

COMPLIES WITH UL 793

SKYCO

SKYLIGHTS
949-629-4090

FRAME FINISH

G90 GALVANIZED

FUSIBLE LINK TEMP. OPTIONS

165° UL/FM 286° UL/FM OTHER
 212° UL/FM 370° UL/FM

MANUAL RELEASE OPTIONS

INSIDE RELEASE BOTH
 OUTSIDE RELEASE

SKYPRO DUAL GLAZING

OUTER DOME

SKYPRO WHITE POLYCARBONATE (SPW)
INNER DOME
 CLEAR COLORLESS POLYCARB. (SPC)

SKYPRO SKYWAVE DOME



MODEL	INSIDE CURB DIM.	QTY.
SQUARE		
4848	48" x 48"	
RECTANGULAR		
4896	48" x 96"	

UL LISTING #: E472388 UL 10 PSF

CURB MOUNT STEEL FRAME SKYPRO DUAL DOME DUAL LID SMOKE VENT

PROJECT:		PROJECT ADDRESS:		APPROVED BY:		DATE:	
CUSTOMER:		CUSTOMER PHONE:		REV. #	JOB #:	DATE:	DRAWING #: SKUL-010