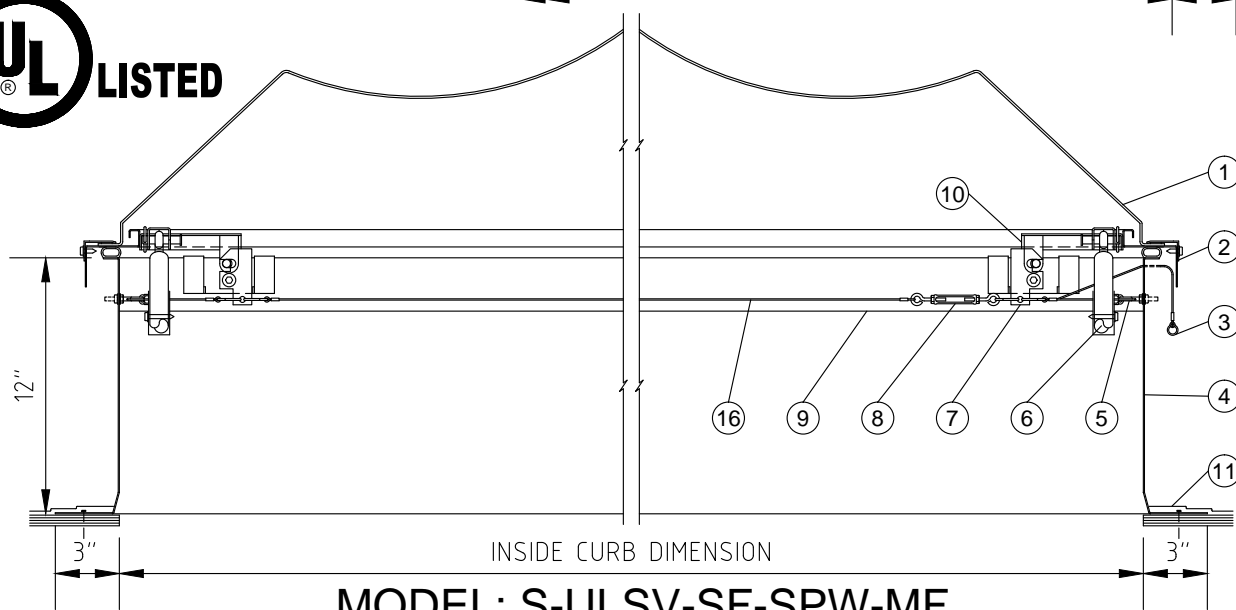
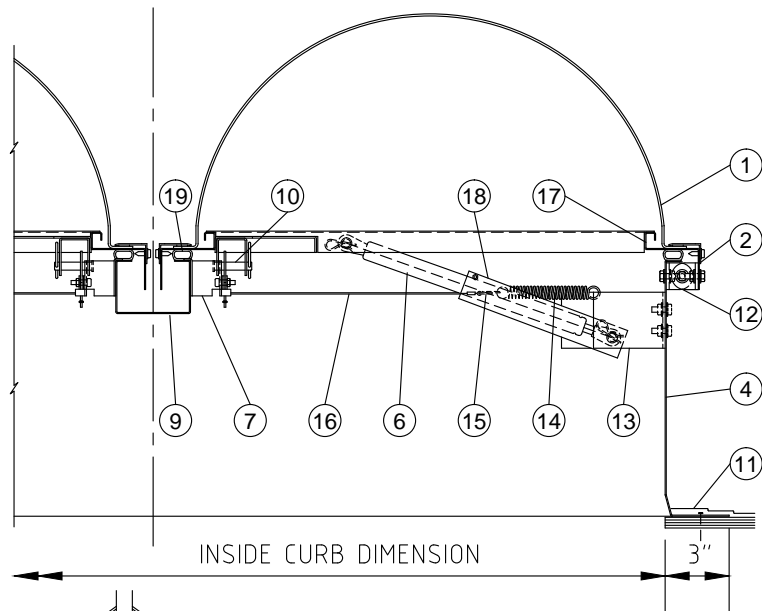


- 1) SINGLE SKYPRO ARCHED DOME
- 2) ALUM. DOME CAP
- 3) EXTERIOR MANUAL RELEASE SHOWN
- 4) 12" G.I. STEEL SELF FLASHING BASE
- 5) EYEBOLT & PULLEY ASSEMBLY
- 6) LIFTING SHOCK
- 7) LATCH ASSEMBLY
- 8) OPEN EYE TURNBUCKLE
- 9) G.I. STEEL GUTTER
- 10) STRIKER ASSEMBLY
- 11) ROOFING BY OTHERS
- 12) G.I. STEEL HINGE ASSEMBLY
- 13) LOWER SHOCK BRACKET
- 14) 0.080" TENSION SPRING
- 15) FUSIBLE LINK - SPECIFY TEMP
- 16) 0.060" 7 STRAND STEEL CABLE
- 17) G.I. STEEL SHOCK LOCK CHANNEL
- 18) G.I. STEEL DOME FRAME
- 19) EPDM BULB GASKET



**MODEL: S-ULSV-SF-SPW-MF**

COMPLIES WITH UL 793

# SKYCO

SKYLIGHTS

949-629-4090

FRAME FINISH

G90 GALVANIZED

FUSIBLE LINK TEMP. OPTIONS

165° UL/FM    286° UL/FM    OTHER

212° UL/FM    370° UL/FM

MANUAL RELEASE OPTIONS

INSIDE RELEASE

OUTSIDE RELEASE

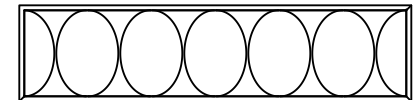
BOTH

SKYPRO SINGLE GLAZING

SKYPRO WHITE POLYCARBONATE (SPW)

OTHER:

SKYPRO SKYWAVE DOME



PLAN VIEW



SIDE ELEVATION



END ELEVATION

MODEL	INSIDE CURB DIM.	QTY.
	SQUARE	
4848	48" X 48"	
	RECTANGULAR	
4896	48" X 96"	

UL LISTING #:	E472388	UL 10 PSF
---------------	---------	-----------

PROJECT:	PROJECT ADDRESS:	APPROVED BY:	DATE:
CUSTOMER:	CUSTOMER PHONE:	REV. #	JOB #:
		DATE:	DRAWING #:
			SKUL-011