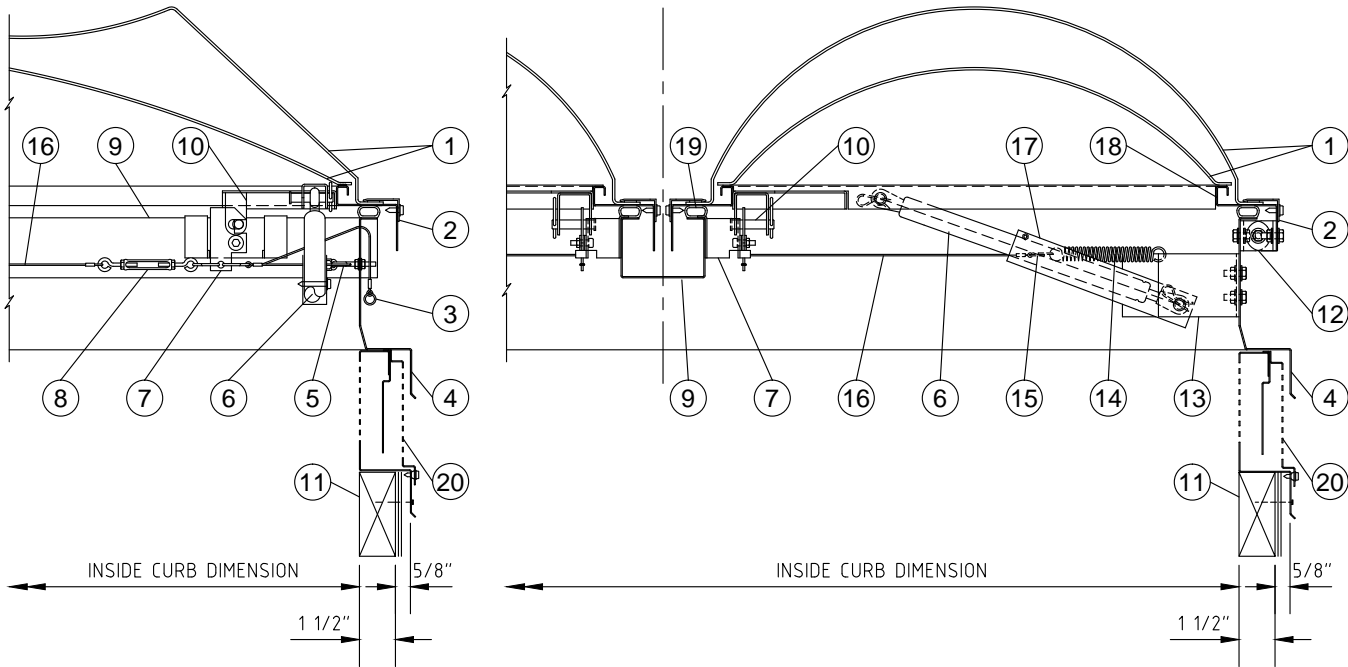


- 1) DUAL SKYPRO ARCHED DOME
- 2) ALUM. DOME CAP
- 3) EXTERIOR MANUAL RELEASE
- 4) G.I. STEEL SMOKE VENT BASE
- 5) EYEBOLT & PULLEY ASSEMBLY
- 6) LIFTING SHOCK
- 7) LATCH ASSEMBLY
- 8) OPEN EYE TURNBUCKLE
- 9) G.I. STEEL GUTTER
- 10) STRIKER ASSEMBLY

- 11) 2X WIDE (1 1/2") CURB BY OTHERS
- 12) G.I. STEEL HINGE ASSEMBLY
- 13) LOWER SHOCK BRACKET
- 14) 0.080" TENSION SPRING
- 15) FUSIBLE LINK - SPECIFY TEMP
- 16) 0.060" 7 STRAND STEEL CABLE
- 17) G.I. STEEL SHOCK LOCK CHANNEL
- 18) G.I. STEEL DOME FRAME
- 19) EPDM BULB GASKET
- 20) VORTEX G.I. STL. CURB MOUNT BASE
- 21) INCLUDES RAIN BAFFLE & BIRD SCREEN STD.



MODEL: S-ULSV-LV9-CM-SPW/SPC-MF

SCALE : 1 1/2" = 1'-0"



COMPLIES WITH UL 793

- UNIT INCLUDES:**
- RAIN BAFFLE
 - BIRD SCREEN
- OPTIONS FOR:**
- INSECT SCREEN
 - DUST FILTER

SKYCO

SKYLIGHTS

949-629-4090

FRAME FINISH

G90 GALVANIZED

FUSIBLE LINK TEMP. OPTIONS

165° UL/FM 286° UL/FM OTHER
 212° UL/FM 370° UL/FM

MANUAL RELEASE OPTIONS

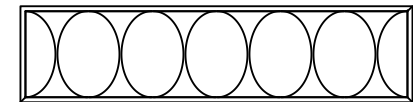
INSIDE RELEASE BOTH
 OUTSIDE RELEASE

SKYPRO DUAL GLAZING

OUTER DOME

SKYPRO WHITE POLYCARBONATE (SPW)
INNER DOME
 CLEAR COLORLESS POLYCARB. (SPC)

SKYPRO SKYWAVE DOME



PLAN VIEW



SIDE ELEVATION



END ELEVATION

MODEL	INSIDE CURB DIM.	QTY.
	SQUARE	
4848	48" x 48"	
	RECTANGULAR	
4896	48" x 96"	

UL CURB MOUNT STEEL FRAME SKYPRO DUAL DOME VORTEX LOUVERED DUAL LID SMOKE VENT

UL LISTING #: E472388 UL 10 PSF

PROJECT:	PROJECT ADDRESS:	APPROVED BY:	DATE:
CUSTOMER:	CUSTOMER PHONE:	REV. #	JOB #:
		DATE:	DRAWING #:
			SKUL-014