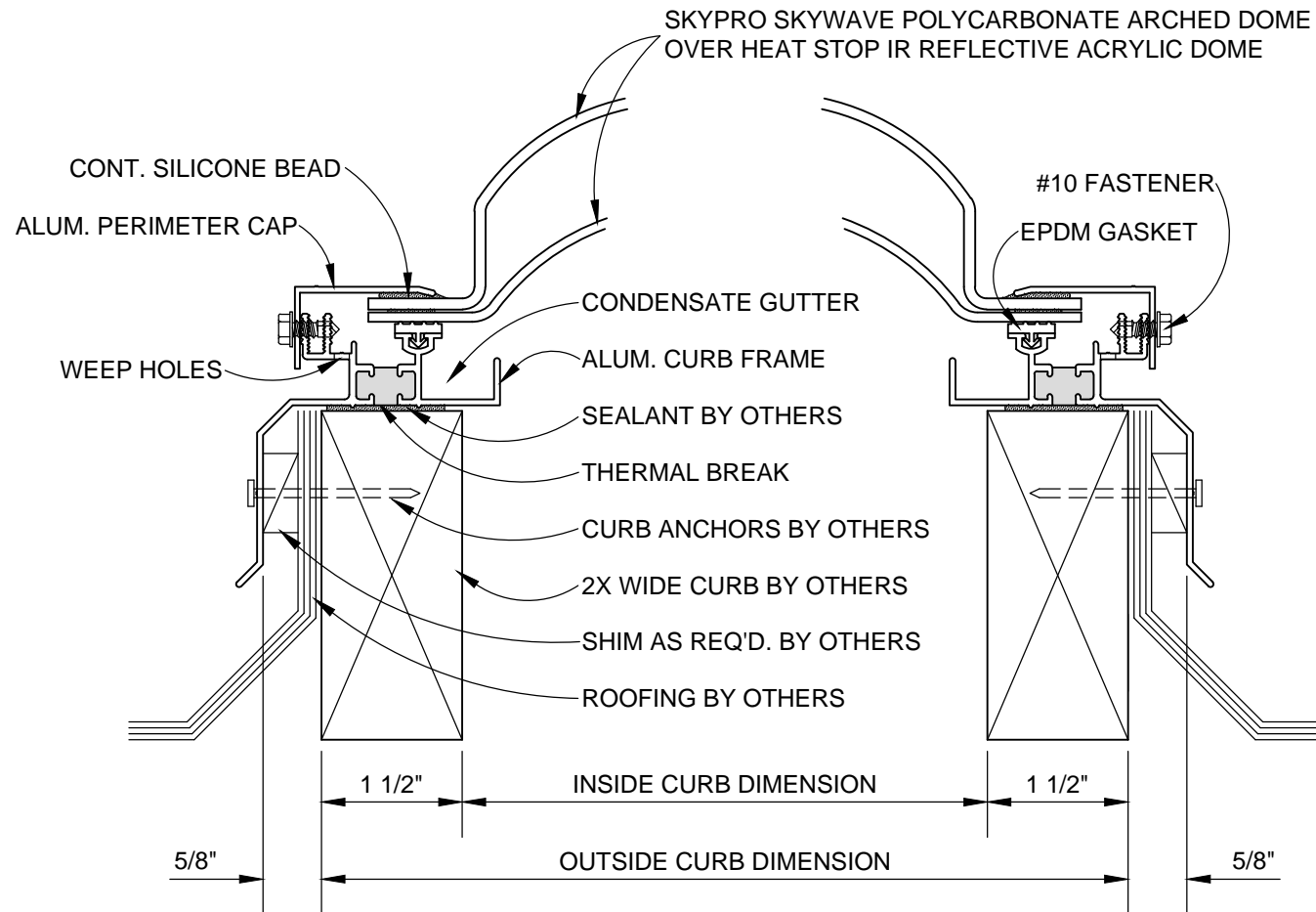


# SKYPRO ILLUMINATOR



**MODEL: A-TB-CM-SPC/AWIR**  
 HALF SCALE

# SKYCO

SKYLIGHTS

949-629-4090

## FRAME FINISH

MILL FINISH (MF)

OTHER: \_\_\_\_\_

## SKYPRO SKYWAVE IR DUAL GLAZING

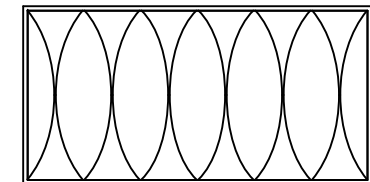
OUTER SKYWAVE ARCHED DOME

SKYPRO CLEAR POLYCARBONATE (SPC)

INNER DOME

WHITE HEAT STOP IR ACRYLIC (AWIR)

## SKYPRO SKYWAVE DOME



PLAN VIEW



SIDE ELEVATION



END ELEVATION

MODEL	INSIDE CURB DIM.	QTY.
SQUARE		
4848	48" x 48"	
RECTANGULAR		
2248	22 1/4" x 48"	
2296	22 1/4" x 96"	
4896	48" x 96"	
6072	60" x 72"	

### ALUMINUM CURB MOUNT THERMAL BREAK FRAME SKYPRO HEAT STOP DUAL DOME SKYLIGHT

PROJECT:	PROJECT ADDRESS:	APPROVED BY:		DATE:
CUSTOMER:	CUSTOMER PHONE:	REV. #	JOB #:	DATE:
				DRAWING #: SKI-033