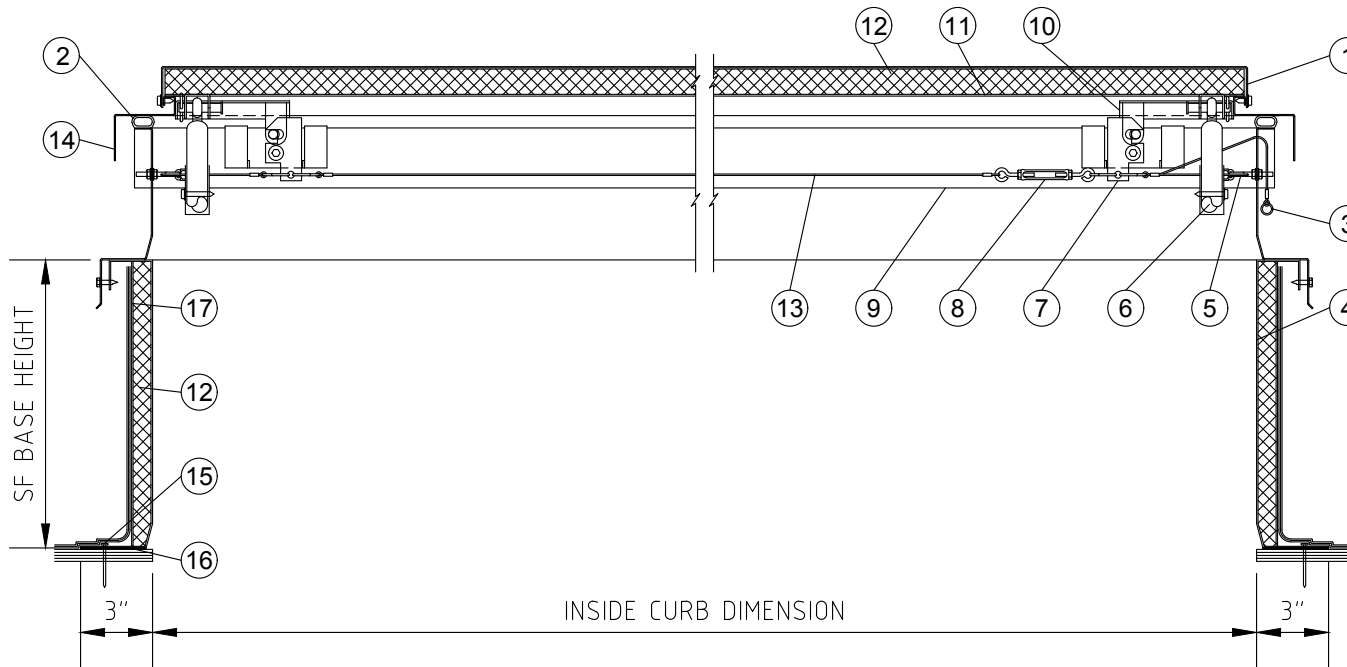


- 1) G.I. STEEL LID
- 2) EPDM BULB GASKET
- 3) EXTERIOR MANUAL RELEASE SHOWN
- 4) G.I. STEEL SELF FLASHING BASE
- 5) EYEBOLT & PULLEY ASSEMBLY
- 6) LIFTING SHOCK
- 7) LATCH ASSEMBLY
- 8) OPEN EYE TURNBUCKLE
- 9) G.I. STEEL GUTTER

- 10) STRIKER ASSEMBLY
- 11) G.I. STEEL LINER
- 12) RIGID INSULATION
- 13) 0.060" 7 STRAND STEEL CABLE
- 14) G.I. STEEL DOME FRAME
- 15) FASTENERS @ 12"o.c. BY OTHERS
- 16) SET FRAME IN ROOFING MASTIC BY OTHERS
- 17) G.I. STEEL LINER



**MODEL: S-ULSV-SFIC-ML-MF**

SCALE : 1 1/2" = 1'-0"

# SKYCO

SKYLIGHTS

949-629-4090

FRAME FINISH

G90 GALVANIZED

FUSIBLE LINK TEMP. OPTIONS

McCABE RE-SETTABLE E-T LINK  
 165° UL/FM    286° UL/FM    OTHER  
 212° UL/FM    370° UL/FM \_\_\_\_\_

MANUAL RELEASE OPTIONS

INSIDE RELEASE                       BOTH  
 OUTSIDE RELEASE

SELF FLASHING BASE HEIGHT

4" SF BASE                       12" SF BASE  
 9" SF BASE                       CUSTOM:

MODEL	INSIDE CURB DIM.	QTY.
SQUARE		
4848	48" x 48"	
6060	60" x 60"	
CUSTOM		
CUSTOM		

RECTANGULAR

4872	48" x 72"	
4896	48" x 96"	
CUSTOM		
CUSTOM		



COMPLIES WITH UL 793

UL INSULATED SELF FLASHING STEEL FRAME DUAL METAL LID SMOKE VENT

UL LISTING #: E472388      UL 10 PSF

PROJECT:

PROJECT ADDRESS:

APPROVED BY:                      DATE:

CUSTOMER:

CUSTOMER PHONE:

REV. #      JOB #      DATE:      DRAWING #:  
 SKUL-022L